

PRODUCT DATA

High Temperature DeltaTron[®] Accelerometers — Types 4526 and 4526-001

USES

- Gas turbine auxiliary equipment
- Power train, engine and exhaust
- Environmental stress screening

FEATURES

- Continuous operation at 180°C
- Low impedance output
- ± 7 Volt output ~ 110 dB dynamic range
- High resolution with 10 or 100 mV/g sensitivity
- Hermetically sealed

Description

Types 4526 and 4526-001 feature a built-in DeltaTron[®] preamplifier designed especially for use with continuous high-temperature operation and with a stable bias voltage.

Both accelerometers include a ThetaShear[®] sensing element, which enhances performance and provides low susceptibility to temperature transients and base bending. The miniature titanium construction and hermetically sealed (glass) connector are specifically constructed to withstand operation in rough environments and provide resistance to humidity and aggressive gases.

Characteristics

The accelerometers work on a low-impedance output enabling the use of inexpensive long cables and connection to a DeltaTron power supply (ICP[®] compatible). The built-in low-noise preamplifier gives 110 dB dynamic range, enabling measurements of both low- and high-level acceleration. Brüel & Kjær has given special attention in assuring the stability, reliability and long-term operational life of the transducer, including (but not limited to):

- Artificial aging during the production process
- Demanding burn-in test at 180°C to secure stable bias
- Performance verified at 180°C continuously for more than 3000 hrs

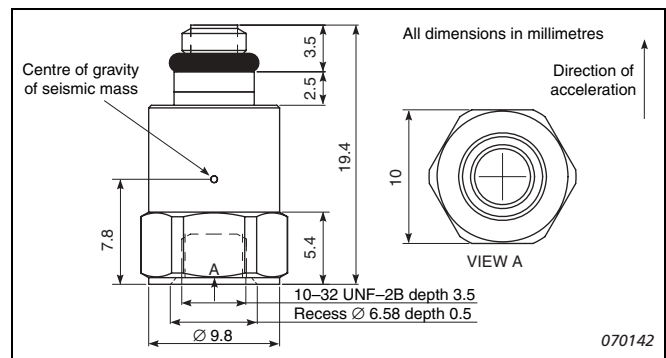


Calibration

The transducers are individually calibrated using state-of-the-art random FFT (Fast Fourier Transform) technology, providing an 1600-point, high-resolution calibration (magnitude and phase). This gives a unique characterisation and secures the integrity of the vibration measurement. Field checking and system calibration are both made simple by using Brüel & Kjær's hand-held vibration Calibration Exciter Type 4294.

Supplied calibration values:

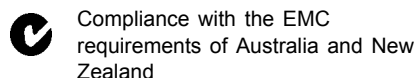
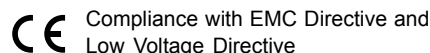
- Sensitivity @ 159.2 Hz
- Maximum transverse sensitivity verification
- Amplitude and phase response (5 Hz to 12.8 kHz)
- Amplitude response with PULSE REq-X applied (10 Hz to 12.8 kHz)



Specifications – High Temperature DeltaTron® Accelerometers Types 4526 and 4526-001

	Units	4526	4526-001
Dynamic Characteristics			
Voltage Sensitivity (@ 160 Hz)	mV/ms ⁻² (mV/g)	10 ±10%(100)	1 ±10%(10)
Measuring Range (±7V FS)	ms ⁻² (g)	±700 (±71)	±7000 (±714)
Frequency Response		See typical amplitude response	
Mounted Resonance Frequency	kHz	25	
Amplitude Response ±10%	Hz	0.3 to 8000	0.1 to 8000
Amplitude Response ±10% with REq-X	Hz	0.3 to 12000	0.1 to 12000
Residual Noise	mg	0.35	0.8
Transverse Sensitivity	%	<5	
Transverse Resonance Frequency	kHz	>18	
Electrical Characteristics			
Output Impedance	Ω	<2	
Bias Voltage in Full Temperature Range	V _{DC}	+8.5 to +13	
Power Supply	mA	2 to 10	
Start-up Time	s	5	
Grounding		Signal ground connected to case	
Environmental Characteristics			
Temperature Range (±5V FS)	°C (°F)	-54 to +180 (-65 to +356)	
Temperature Range (±7V FS)	°C (°F)	-54 to +150 (-65 to +302)	
Humidity		Hermetic Welded, Glass Sealed	
Max. Non-destructive Shock (peak)	ms ⁻² (g) pk	50000 (5100)	
Base Strain Sensitivity	Equiv. ms ⁻² /μstrain	0.001	
Thermal Transient Sensitivity	ms ⁻² /°C	0.3	
Temperature Coefficient	%/°C	+0.09	
Magnetic Sensitivity (50 Hz–0.03 Tesla)	ms ⁻² /T	3	
Physical Characteristics			
Dimensions		See outline drawing	
Weight	gram	<5	
Housing Material	–	Titanium	
Connector	–	10–32 UNF	
Mounting	–	10–32 threaded hole	
Mounting Torque	Nm	Max. 4, min. 0.5	

All values are typical at 25°C (77°F) unless measurement uncertainty is specified



Ordering Information

Type 4526 and 4526-001 include the following accessories:

- Carrying box
- Calibration chart
- 10–32 steel stud with flange

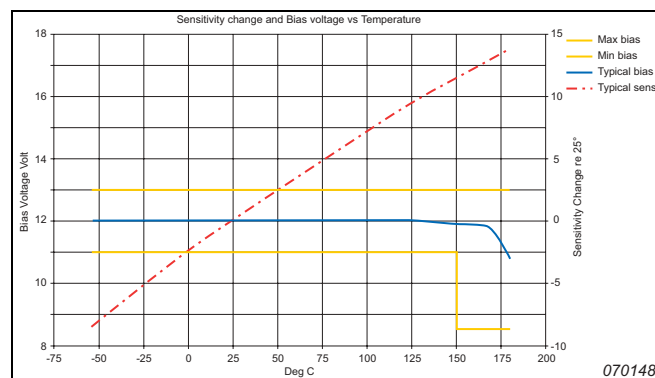
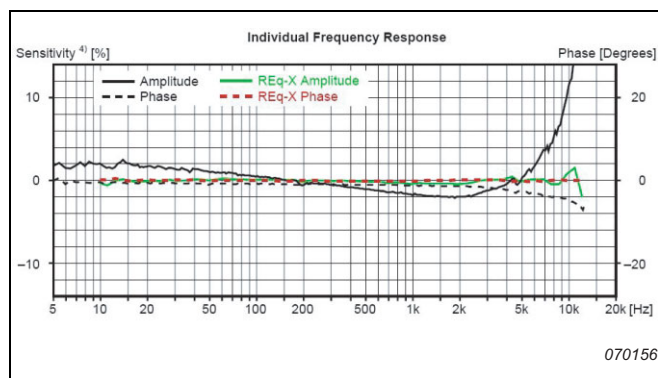
OPTIONAL ACCESSORIES^a

- UA-2063: Set of 10 steel stud, 10–32 UNF, Length 7.9 mm (0.311")
- UA-2064: Set of 10 steel stud with flange, 10–32 UNF, Length 5.3 mm (0.209")
- UA-0866: Set of 25 cementing studs, 10–32 UNF
- UA-1192: Set of 10 high temperature (200°C/392°F) insulating studs, 10–32 UNF to 10–32 UNF
- UA-0643: Set of 5 mounting magnets and 2 insulating discs, 10–32 UNF stud
- QA-0029: Tap for 10–32 UNF thread
- AO-0038: Teflon super low-noise cable, 10–32 UNF to 10–32 UNF connector, 250°C/482°F
- AO-1382: Lightweight double screened cable, 10–32 UNF to 10–32 UNF connector, 200°C/392°F
- AO-0406: Double-screened cable, 10–32 UNF to BNC connector via JP-0145, 200°C/392°F
- JP-0145: Plug adaptor, BNC to 10–32 UNF
- UA-0186: Set of 25 extension connectors, 10–32 UNF

SERVICE PRODUCTS

- 4526-CAF Accredited Calibration
- 4526-CAI Accredited Initial Calibration

a. Additional accessories and cables are available (see www.bksv.com)



TRADEMARKS

ICP is a registered trademark of PCB Group

Brüel & Kjær reserves the right to change specifications and accessories without notice

HEADQUARTERS: DK-2850 Nærum · Denmark · Telephone: +45 4580 0500
Fax: +45 4580 1405 · www.bksv.com · info@bksv.com

Australia (+61) 2 9889-8888 · Austria (+43) 1 865 74 00 · Brazil (+55) 11 5188-8161
Canada (+1) 514 695-8225 · China (+86) 10 680 29906 · Czech Republic (+420) 2 6702 1100
Finland (+358) 9-755 950 · France (+33) 1 69 90 71 00 · Germany (+49) 421 17 87 0
Hong Kong (+852) 2548 7486 · Hungary (+36) 1 215 83 05 · Ireland (+353) 1 807 4083
Italy (+39) 0257 68061 · Japan (+81) 3 5715 1612 · Republic of Korea (+82) 2 3473 0605
Netherlands (+31) 318 55 9290 · Norway (+47) 66 77 11 55 · Poland (+48) 22 816 75 56
Portugal (+351) 21 4169 040 · Singapore (+65) 377 4512 · Slovak Republic (+421) 25 443 0701
Spain (+34) 91 659 0820 · Sweden (+46) 33 225 622 · Switzerland (+41) 44 8807 035
Taiwan (+886) 2 2502 7255 · United Kingdom (+44) 14 38 739 000 · USA (+1) 800 332 2040

Local representatives and service organisations worldwide

Brüel & Kjær

