

Product Data

Pistonphone — Type 4228

USES:

- Laboratory standard
- Calibration of sound level meters and other sound measurement equipment
- Field and laboratory use

FEATURES:

- 124 dB SPL at 250 Hz

Pistonphone Type 4228 is a small, battery-operated, high-precision sound source. Each pistonphone is individually calibrated and comes complete with adaptors, allowing calibration of 1", 1/2", 1/4" and 1/8" microphones.

Pistonphone Type 4228 provides quick and accurate calibration of sound measuring equipment including sound level meters. With the included barometer, it satisfies IEC 942 (1988) Class 1L while, with an external barometer, it is capable of satisfying Class 0L of IEC 942 (1988). It also satisfies ANSI S1.40-1984. It can be used in the field over a wide range of temperature, humidity and pressure while still maintaining high accuracy. It is extremely useful for supplying a standard sound pressure level.

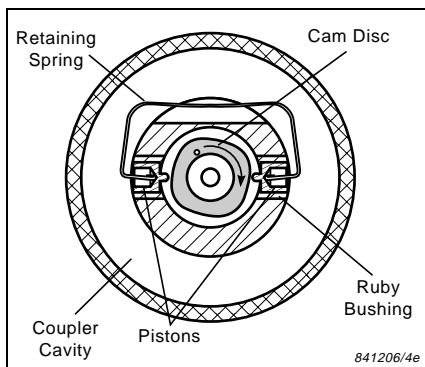


Fig.1 Cross-sectional view showing the principle of operation

- Satisfies IEC 942 (1988) Class 1L or Class 0L (with external barometer) and ANSI S1.40-1984
- High frequency and level stability
- Individually calibrated to within ± 0.12 dB (including effects of specified microphones)
- Fits 1", 1/2", 1/4" and 1/8" microphones
- Battery operated



The calibration frequency, nominally 250 Hz, is $251.2 \text{ Hz} \pm 0.1\%$ as defined by ISO 266. The sound level produced by the pistonphone is nominally 124 ± 0.2 dB re $20 \mu\text{Pa}$ at the reference conditions. Each pistonphone, however, is individually calibrated with an uncertainty of less than 0.09 dB and delivered with a calibration chart. When loaded with a microphone of one of the specified types, the uncertainty is less than

0.12 dB. The high sound level from the pistonphone allows correct calibration to be made in the field, even in very noisy surroundings.

The piston arrangement (see Fig.1), based on an original Brüel & Kjær design, consists of two pistons mounted on opposite sides of a cam disc. The rotation of the cam disc forces the pistons to move, in phase, in and out of the coupler cavity. The design reduces cam disc ec-

centricity and harmonic distortion, and ensures maximum level stability.

The pistonphone is very simple to operate with only one control switch. It can be held in one hand in any position, while, with the free hand, the sensitivity of the sound measuring equipment is adjusted until a reading corresponding to the sound pressure level produced is obtained.

The pistonphone fits Brüel & Kjær 1", 1/2", 1/4" and 1/8" Microphones, and microphones having the same standard diameter (e.g. types WE 640AA, MR 103). Fig. 2 shows its use with 1" and 1/2" microphones.

A barometer supplied with the pistonphone gives the ambient pressure correction in dB, in the range 650 to 1080 hPa, provided it is checked annually to maintain its accuracy.

The pistonphone is delivered with six alkaline batteries mounted in Battery Container DH 0597. When fitted with alkaline batteries, the pistonphone operates in the temperature range -10 to +50°C (14 to

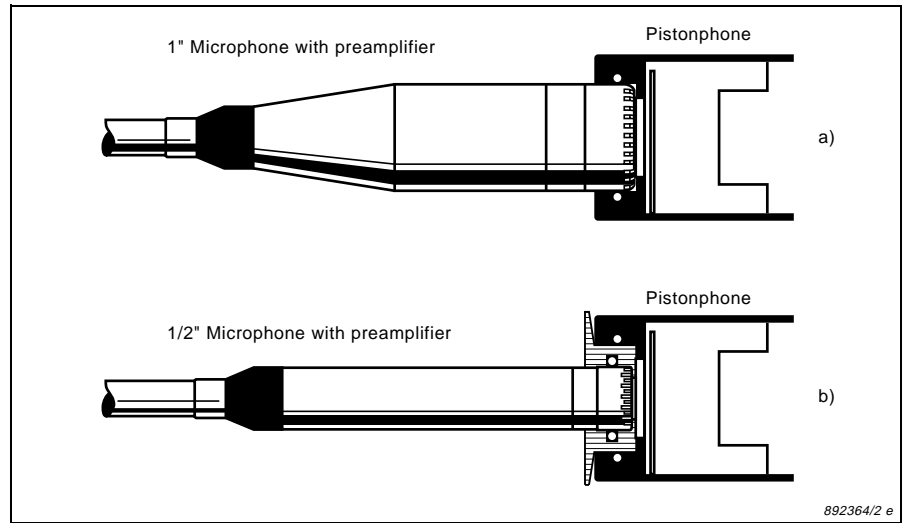


Fig. 2 Mounting B&K microphones on the pistonphone

a) 1" microphone

b) 1/2" microphone. The total volume of the cavity is the same in both cases

122 °F). The "250 Hz" light beside the control switch monitors the frequency. When the pistonphone is switched on, the light flickers for a second or so until the frequency reaches

251.2 Hz. The light then remains on until the pistonphone is switched off. If the light flickers at other times, the batteries should be replaced.

Specifications 4228

<p>SATISFIED STANDARDS: IEC 942 (1988) Class 1L (Class 0L with suitable external barometer) ANSI S1.40-1984</p> <p>NOMINAL SOUND PRESSURE LEVEL: 124 dB re 20 µPa ±0.2 dB at reference conditions:</p> <p>Ambient Pressure: 1013 hPa Ambient Temp.: 20 °C (68 °F) Ambient Humidity: 65% RH Effective Load Volume: 1.333 cm³</p> <p>FREQUENCY: Nominal: 250 Hz Actual: 10^{2.4} Hz (ISO 266) or 251.2 Hz ±0.1%</p> <p>SPECIFIED MICROPHONE TYPES: Brüel & Kjær (and similar types) 1", 1/2", 1/4" and 1/8" microphones (see calibration chart for more details)</p> <p>INDIVIDUAL CALIBRATION ACCURACY: At Reference Conditions: ±0.09 dB At Ambient Reference Conditions: ±0.12 dB with specified microphone types</p> <p>Within Range of Ambient Conditions: With External Barometer: ±0.15 dB — IEC 942 (1988) Class 0L With Included Barometer: ±0.30 dB — IEC 942 (1988) Class 1L</p> <p>NOMINAL EFFECTIVE COUPLER VOLUME: 19.733 cm³ (at 250 Hz) including Nominal Effective Load Volume 1.333 cm³</p> <p>TOTAL HARMONIC DISTORTION: <3%</p> <p>AMBIENT CONDITIONS: Ranges: Pressure: 650 hPa to 1080 hPa Temperature: -10 to +50 °C (14 to 122 °F) Relative Humidity: 5% RH to 95% RH</p> <p>Required Measurement Accuracy: Pressure: ±0.3% (IEC 942 Class 0L) ±2.0% (IEC 942 Class 1L) Temperature: ±5 °C Relative Humidity: ±15% above 35 °C (95 °F) (measurement is not necessary below 35 °C (95 °F))</p> <p>Power Supply Batteries: 6×1.5 V IEC Type LR6 ("AA" size) Lifetime: Typically 40 hours with alkaline batteries (continuous operation at 20 °C) Check: Constant check via "250 Hz" light</p>	<p>Environmental Ambient Pressure: SPL is proportional to the ambient pressure (correction read from the barometer supplied) Ambient Temperature: -0.0005 dB/°C (estimated) Ambient Humidity: -0.0001 dB/% RH at the reference conditions Effective Load Volume: See calibration chart</p> <p>Dimensions and Weight Length: 224 mm (8.7") Diameter: 36 mm (1.4")</p> <p>COMPLIANCE WITH STANDARDS:</p> <table border="1"> <tr> <td style="text-align: center;">CE</td> <td>CE-mark indicates compliance with: EMC Directive.</td> </tr> <tr> <td>Safety</td> <td>EN 61010-1 and IEC 1010-1: Safety requirements for electrical equipment for measurement, control and laboratory use.</td> </tr> <tr> <td>EMC Emission</td> <td>EN 50081-1: Generic emission standard. Part 1: Residential, commercial and light industry. EN 50081-2: Generic emission standard. Part 2: Industrial environment. CISPR 22: Radio disturbance characteristics of information technology equipment. Class B Limits. FCC Rules, Part 15: Complies with the limits for a Class B digital device.</td> </tr> <tr> <td>EMC Immunity</td> <td>EN 50082-1: Generic immunity standard. Part 1: Residential, commercial and light industry. EN 50082-2: Generic immunity standard. Part 2: Industrial environment. Note 1: The above is guaranteed using accessories listed in this Product Data sheet only.</td> </tr> <tr> <td>Temperature</td> <td>IEC 68-2-1 & IEC 68-2-2: Environmental Testing. Cold and Dry Heat. Operating Temperature: -10 to +50 °C (14 to 122 °F) Storage Temperature: -25 to +70 °C (-13 to +158 °F), without batteries</td> </tr> <tr> <td>Humidity</td> <td>IEC 68-2-3: Damp Heat: 90% RH (non-condensing at 40 °C (104 °F))</td> </tr> <tr> <td>Mechanical</td> <td>Non-operating: IEC 68-2-6: Vibration: 0.3 mm, 20 m/s², 10-500 Hz IEC 68-2-27: Shock: 1000 m/s² IEC 68-2-29: Bump: 1000 bumps at 250 m/s²</td> </tr> </table>	CE	CE-mark indicates compliance with: EMC Directive.	Safety	EN 61010-1 and IEC 1010-1: Safety requirements for electrical equipment for measurement, control and laboratory use.	EMC Emission	EN 50081-1: Generic emission standard. Part 1: Residential, commercial and light industry. EN 50081-2: Generic emission standard. Part 2: Industrial environment. CISPR 22: Radio disturbance characteristics of information technology equipment. Class B Limits. FCC Rules, Part 15: Complies with the limits for a Class B digital device.	EMC Immunity	EN 50082-1: Generic immunity standard. Part 1: Residential, commercial and light industry. EN 50082-2: Generic immunity standard. Part 2: Industrial environment. Note 1: The above is guaranteed using accessories listed in this Product Data sheet only.	Temperature	IEC 68-2-1 & IEC 68-2-2: Environmental Testing. Cold and Dry Heat. Operating Temperature: -10 to +50 °C (14 to 122 °F) Storage Temperature: -25 to +70 °C (-13 to +158 °F), without batteries	Humidity	IEC 68-2-3: Damp Heat: 90% RH (non-condensing at 40 °C (104 °F))	Mechanical	Non-operating: IEC 68-2-6: Vibration: 0.3 mm, 20 m/s ² , 10-500 Hz IEC 68-2-27: Shock: 1000 m/s ² IEC 68-2-29: Bump: 1000 bumps at 250 m/s ²	<p>WEIGHT: Pistonphone with batteries: 0.7 kg (1.5 lb) Case containing pistonphone, adaptors and correction barometer: 1.6 kg (3.5 lb)</p> <p>Note: All values are typical at 25 °C (77 °F), unless measurement uncertainty or tolerance field is specified. All uncertainty values are specified at 2σ (i.e. expanded uncertainty using a coverage factor of 2)</p>
CE	CE-mark indicates compliance with: EMC Directive.															
Safety	EN 61010-1 and IEC 1010-1: Safety requirements for electrical equipment for measurement, control and laboratory use.															
EMC Emission	EN 50081-1: Generic emission standard. Part 1: Residential, commercial and light industry. EN 50081-2: Generic emission standard. Part 2: Industrial environment. CISPR 22: Radio disturbance characteristics of information technology equipment. Class B Limits. FCC Rules, Part 15: Complies with the limits for a Class B digital device.															
EMC Immunity	EN 50082-1: Generic immunity standard. Part 1: Residential, commercial and light industry. EN 50082-2: Generic immunity standard. Part 2: Industrial environment. Note 1: The above is guaranteed using accessories listed in this Product Data sheet only.															
Temperature	IEC 68-2-1 & IEC 68-2-2: Environmental Testing. Cold and Dry Heat. Operating Temperature: -10 to +50 °C (14 to 122 °F) Storage Temperature: -25 to +70 °C (-13 to +158 °F), without batteries															
Humidity	IEC 68-2-3: Damp Heat: 90% RH (non-condensing at 40 °C (104 °F))															
Mechanical	Non-operating: IEC 68-2-6: Vibration: 0.3 mm, 20 m/s ² , 10-500 Hz IEC 68-2-27: Shock: 1000 m/s ² IEC 68-2-29: Bump: 1000 bumps at 250 m/s ²															

Ordering Information

<p>Type 4228 Pistonphone Includes the following accessories: 6×QB0013: 6×1.5V Alkaline Battery, IEC Type LR6 ("AA" size) DH0597: Battery Container</p>	<p>DP 0776: Adaptor (for 1/2" microphones) DP 0775: Adaptor (for 1/4" microphones) DP 0774: Adaptor (for 1/8" microphones) UZ 0004: Correction Barometer</p>
--	--

Brüel&Kjær reserves the right to change specifications and accessories without notice



WORLD HEADQUARTERS:

DK-2850 Naerum · Denmark · Telephone: +45 45 80 05 00 · Fax: +45 45 80 14 05 · Internet: <http://www.bk.dk> · e-mail: info@bk.dk
Australia (02) 9450-2066 · Austria 00 43-1-865 74 00 · Belgium 016/44 92 25 · Brazil (011) 246-8166 · Canada: (514) 695-8225 · China 10 6841 9625 / 10 6843 7426
Czech Republic 02-67 021100 · Finland 90-229 3021 · France (01) 69 90 69 00 · Germany 0610 3/908-5 · Holland (0)30 6039994 · Hong Kong 254 8 7486
Hungary (1) 215 83 05 · Italy (02) 57 60 4141 · Japan 03-3779-8671 · Republic of Korea (02) 3473-0605 · Norway 66 90 4410 · Poland (0-22) 40 93 92 · Portugal (1) 47114 53
Singapore (65) 275-8816 · Slovak Republic 07-37 6181 · Spain (91) 36810 00 · Sweden (08) 71127 30 · Switzerland 01/94 0 09 09 · Taiwan (02) 713 9303
United Kingdom and Ireland (0181) 954-236 6 · USA 1 - 800 - 332 - 2040
Local representatives and service organisations worldwide
BP 0881-13