

PRODUCT DATA

Force Transducer Charge Force Transducers — Types 8230 C-003 and 8231 C

USES

- Measurements of tensile and compressive forces
- Designed for modal and process applications

FEATURES

- Easily mounted
- Wide compression range
- Rigid construction with high stiffness
- High temperature
- Impact cap included

Description

Types 8230 C-003 and 8231 C are designed for dynamic, short-duration static and impact force measurements. Type 8230 C-003 is typically used for measuring applied forces in modal applications, for example, inserted directly between an exciter and the test structure. Type 8231 C is typically used in force measurements with excessive compressive forces or where a wide compression range is required. The wide temperature range of the transducers makes them ideal for high-temperature applications, such as environmental tests.

Type 8230 C-003 is mounted using the $\frac{1}{4}$ "-28 UNF tapped holes on the top and bottom of the body and Type 8231 C using the $\frac{3}{8}$ "-16 UNC tapped holes on the top and bottom of the body. The transducers feature a 10-32 UNF side connector.

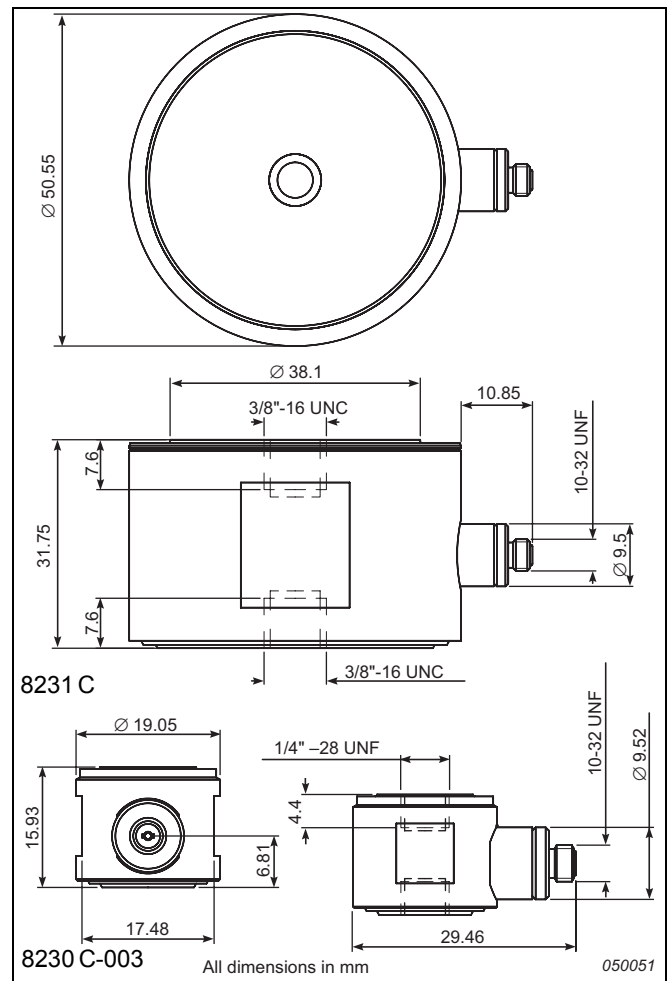
Characteristics

These force transducers may be treated as charge sources. Their sensitivity is expressed in terms of charge per unit force (pC/N or pC/lbf).

The transducers work on the piezoelectric effect of quartz, which, when stressed (in this case compressed), gives an electrical charge proportional to the compressing force. The housing material is stainless steel giving a very stiff and rigid construction.

Calibration

The transducers are supplied with an individual calibration of the sensitivity.



Specifications – Charge Force Transducers Types 8230 C-003 and 8231 C

	Units	8230 C-003	8231 C
Dynamic Characteristics			
Charge Sensitivity (typical)	pC/N (pC/lbf)	-4 (-18)	-2 (-9)
Full Scale Force Range Compression	kN (lbf)	22.2 (5000)	110 (25000)
Full Scale Force Range Tensile	kN (lbf)	2.2 (500)	
Mounted Resonance Frequency	kHz	75	
Max. Compression	kN (lbf)	66.7 (15000)	270 (60000)
Max. Tension	kN (lbf)	2.2 (500)	4.5 (1000)
Linearity Error at Full Scale	% full scale	< ±1	
Electrical Characteristics			
Output Polarity		Negative output for compression	
Nominal Capacitance	pF	18	250
Leakage Resistance	GΩ	1000	500
Grounding		Signal ground connected to case	
Environmental Characteristics			
Temperature Range	°C (°F)	-73 to +260 (-100 to +500)	
Coefficient of Thermal Sensitivity	%/°C (%/°F)	0.05 (0.03)	0.02 (0.01)
Humidity		Epoxy sealed	
Max. Operational Sinusoidal Vibration (peak)	ms ⁻² (g)	24500 (2500)	29000 (3000)
Max. Operational Shock (peak)	ms ⁻² (g)	98000 (10000)	49000 (5000)
Physical Characteristics			
Dimensions		See outline drawing	
Weight	total	30.2 (1.1)	452 (15.9)
	mass above piezo element	9.5 (0.34)	198 (7)
	mass below piezo element	20.7 (0.73)	254 (9)
Case Material		17-4 PH stainless steel	
Stiffness	kN/μm (lbf/μin.)	2.0 (11.4)	8.8 (50)
Connector		10-32 UNF	
Mounting		¼"-28 UNF thread on top and bottom	¾"-16 UNC thread on top and bottom

All values are typical at 25°C (77°F) unless measurement uncertainty is specified

COMPLIANCE WITH STANDARDS



Compliance with EMC Directive and Low Voltage Directive of the EU



Compliance with the EMC requirements of Australia and New Zealand

Ordering Information

Type 8230 C-003 includes the following accessories:

- Carrying box
- Calibration chart
- Mounting stud, ¼"-28 UNF, 9.7 mm (0.38") length
- Impact cap, stainless steel
- ¼"-28 UNF (external) to 10-32 UNF (internal) threaded insert

Type 8231 C includes the following accessories:

- Carrying box

- Calibration chart
- 2 × Mounting stud, ¾"-16 UNC, THD, 12.7 mm (0.5") length
- Impact cap, stainless steel

OPTIONAL ACCESSORIES*

- AO 0038: 260°C Teflon® low-noise cable, 10-32 UNF, length 1.2 m (4 ft.)
- AO 0122: 250°C, reinforced super low noise cable, 10-32 UNF, 3 m (10 ft.)
- AO 1382: Teflon low noise cable, double screened 10-32 UNF, 1.2 m (4 ft.)
- JP 0145: Plug adaptor, BNC/10-32 UNF

- UA 2068: Set of 10 ¼"-28 UNF threaded mounting studs, 9.7 mm (0.38") length
- UA 2052: Set of 10 stud adaptors ¼"-28 UNF to 10-32 thread
- UA 2054: Set of 20 bushing adaptors ¼"-28 UNF (external) to 10-32 UNF (internal) thread
- UA 2062: Set of 10 stud adaptors ¼"-28 UNC to 10-32 UNF thread, with flange
- UA 2061: Set of 10 mounting studs ¾"-16 UNC thread, 12.7 mm (0.5") length

* Additional accessories and cables are available (see www.bksv.com). For a complete list of stingers and other mechanical connectors for use with modal exciters, please consult the product data sheets on Types 3624, 3625, 3626, 3627 or 3628.

Brüel & Kjær reserves the right to change specifications and accessories without notice

HEADQUARTERS: DK-2850 Nærum · Denmark · Telephone: +45 4580 0500
Fax: +45 4580 1405 · www.bksv.com · info@bksv.com

Australia (+61) 2 9889-8888 · Austria (+43) 1 865 74 00 · Brazil (+55) 11 5188-8166
Canada (+1) 514 695-8225 · China (+86) 10 680 29906 · Czech Republic (+420) 2 6702 1100
Finland (+358) 9-521 300 · France (+33) 1 69 90 71 00 · Germany (+49) 421 17 87 0
Hong Kong (+852) 2548 7486 · Hungary (+36) 1 215 83 05 · Ireland (+353) 1 807 4083
Italy (+39) 0257 68061 · Japan (+81) 3 5715 1612 · Korea (+82) 2 3473 0605
Netherlands (+31) 318 55 9290 · Norway (+47) 66 77 11 55 · Poland (+48) 22 816 75 56
Portugal (+351) 21 47 11 4 53 · Singapore (+65) 377 4512 · Slovak Republic (+421) 25 443 0701
Spain (+34) 91 659 0820 · Sweden (+46) 8 449 8600 · Switzerland (+41) 44 880 7035
Taiwan (+886) 2 2502 7255 · United Kingdom (+44) 14 38 739 000 · USA (+1) 800 332 2040

Local representatives and service organisations worldwide

Brüel & Kjær

