

Product Data

Weatherproof Cabinet — ZH 0328

USES:

- 0 Housing 19" rack-mounted equipment
- 0 Protecting equipment requiring shelter from adverse weather conditions

FEATURES:

- 0 Environmental protection complies with NEMA 4 and IEC 529 to IP 55
- 0 Standard 19" instrument rack
- 0 Internal climate control
- 0 Vandal, rust and tamper-proof

The Weatherproof Cabinet ZH0328 is designed to protect electronic equipment from temperate weather conditions.

It is made of stainless steel and is fitted with clamps which enable it to be fastened to a mast (30-150mm in diameter). It has a full, weather-sealed door opening onto a standard 19" instrument rack which can swing out, giving access to the electrical system and climatic unit.

The climatic unit consists of a heater, a fan and two thermostats which keep the internal temperature of the cabinet within the working range of enclosed equipment. The climatic unit can be powered by an external supply of 110/120 or 220/240V. All external cables, including power cables for enclosed equipment, are lead in through weather-sealed entry points in the base of the cabinet.

The ZH0328 is vandal-proof with three weather-sealing locks on the door which also ensure full protection against tampering.

A telephone junction box enables remote contact with equipment inside with the aid of a modem (e.g. ZM0066).

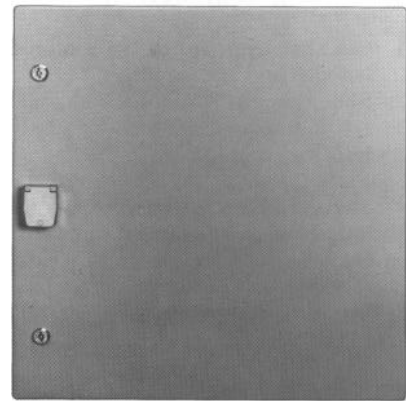
The Weatherproof Cabinet ZH0328 is primarily designed to house standard 19" rack-mounted equipment of low or medium power and shield them from temperate weather conditions whilst allowing them to function normally. This allows the use of permanently installed systems without fear of damage to the enclosed equipment. When incorporated in the outdoor Noise Monitoring Terminal Type 3543 it provides weather protection for the data analysis and communication equipment.

The ZH0328 affords protection to equipment placed within it by way of

a climatic unit which controls the internal temperature. The climatic unit consists of two thermostats, a heater and a fan. A working range for the internal temperature can be user-defined between + 15 and + 45°C. When the internal temperature falls below the minimum level, the heater and the fan are switched on until it is again within the working range. Above the maximum level, the fan is switched on until the internal temperature lies within the working range again.

The ZH 0328 is constructed of stainless steel and covered with several coats of paint. Three weather-sealing locks in the door also prevent unwanted tampering with the equipment inside.

Five weather-sealed entry points in the base of the ZH 0328 allow access of an external AC power supply from which the enclosed equipment can be run. An autotransformer (protected by



a 2,5A fuse) enables the climatic unit to be powered by a 110/120V supply. A diagram on the inside of the cabinet indicates how to connect the power supply. Entry points are also provided for public telephone cables to enable the remote control of enclosed equipment.

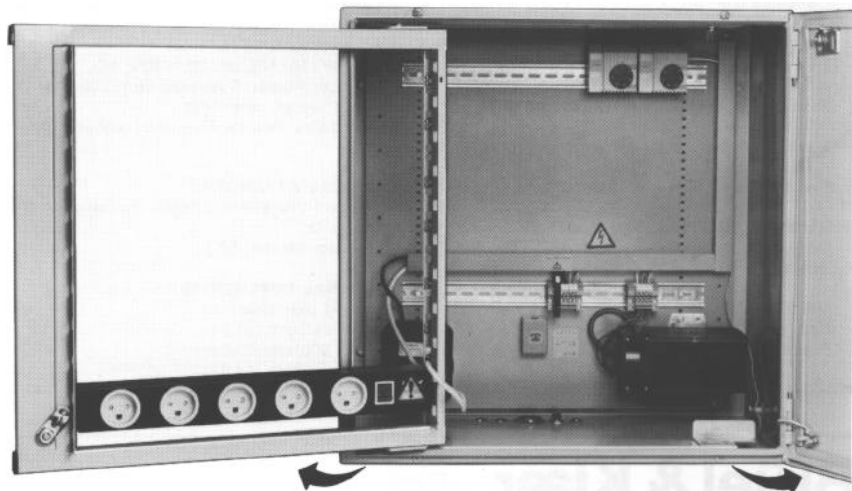


Fig. 1. The Weatherproof Cabinet Type ZH0328 with the door open to show the interior with the instrument rack in the open position

The cabinet contains a standard 19" instrument rack and contains a five point power extension board. Equipment narrower than 19" can also be mounted in the cabinet using a Combining Frame (KK0046) and secured with restraining straps. The instrument rack can be swung open to allow easy access to the rear panels of the instruments or the inside of the cabinet and can be locked in the closed position. Fig. 1 shows the interior of the ZH0328 with the instrument rack in the open position.

The ZH0328 can be mounted on a mast (30-150mm in diameter) with the clamps provided as instructed below with reference to Fig.1.

Mounting Instructions

1. Cut the straps (6) to the required lengths prior to mounting.
2. Slide the grip (3) into the channel (1) and screw the stud (2) lightly into it.
3. Place the clamp profile (4) over the stud (2) in the direction shown for a mast of circular cross-section (if the mast is of rectangular cross-section then reverse the clamp profile such that the stepped side faces out towards the near-side edge of the cabinet).
4. Secure the clamp profile (4) onto the stud with the nut (5).

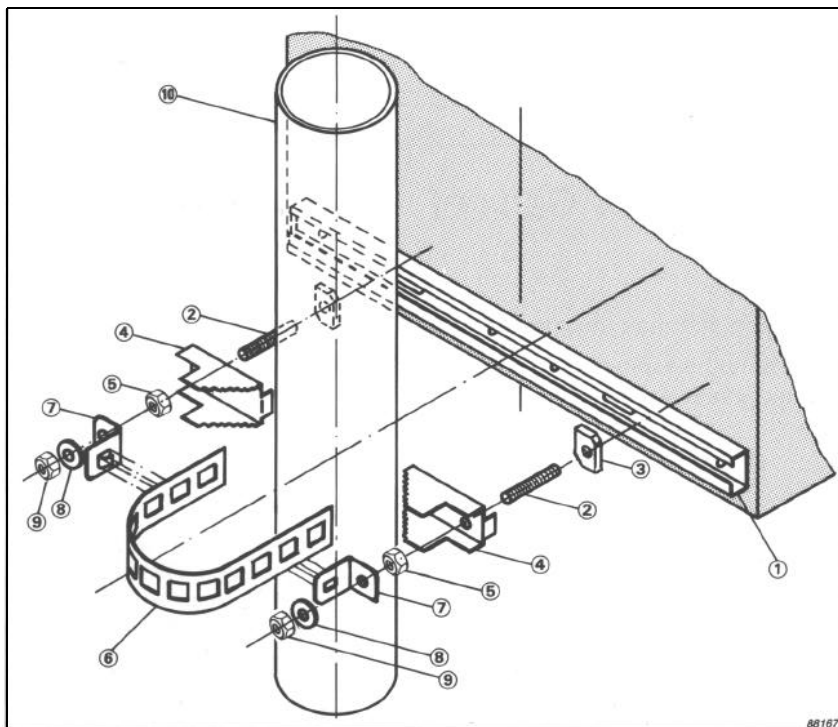


Fig. 2. Clamp assembly for mounting the Weatherproof Cabinet Type ZH0328 onto a mast of circular cross-section

5. Place the restraining strap (6) around the mast (10).
6. Insert the clamp angle (7) into the restraining strap (6) and place over the stud (2).
- Place the washer (8) and nut (9) onto the stud and tighten with a spanner.
8. Anti-corrosion treatment for the clamp mountings is recommended.

Specifications ZH 0328

<p>ENVIRONMENTAL PROTECTION: Complies with IEC 529 to IP 55 and NEMA 4</p> <p>INTERNAL TEMPERATURE CONTROL: Two bi-metal strip thermostats (maximum rating 10A at 250V) Minimum Temperature Thermostat Range: +15 to +45°C (+59 to +113°F) Maximum Temperature Thermostat Range: +15 to +45°C (+59 to +113°F) Fan Capacity: 50 m³/hr at +35°C</p> <p>AMBIENT TEMPERATURE RANGE: Operating: -20 to +55°C (-4 to +131°F) Storage: -25 to +70°C (-13 to +158°F)</p> <p>UPPER HUMIDITY LIMIT: Operating: 90% RH at +30°C Storage: 90 to 95% RH at +40°C</p>	<p>POWER SUPPLY: A junction box on the inner back face leads to an extension board of five power points on the instrument rack Voltage: 110 / 120 or 220 / 240 V AC Maximum Power Consumption: 200W with fan and heater operating Cable Entry Points: Five with rubber grommets</p> <p>PHYSICAL STRENGTH: Maximum Vibration: 0,3 mm / 2 g between 10 and 500 Hz Maximum Shock: 50 g</p> <p>EXTERNAL DIMENSIONS: Including rear channels Height: 600mm (23,6 in) Width: 600mm (23,6 in) Depth: 365mm (14,4 in)</p>	<p>INTERNAL DIMENSIONS: Height of Instrument Rack: 11 HE: equivalent to 415mm (16,3 in) Maximum Depth Behind Instrument Rack: 265 mm (10,4 in)</p> <p>WEIGHT: 30.8 kg (67.9 lb)</p> <p>ACCESSORIES INCLUDED: Main Door-lock Key Key for Rack-lock and Secondary Door-locks Set of Two Mounting Clamps</p> <p>ACCESSORIES AVAILABLE: Combining Frame KK 0046</p>
--	--	---

Brüel & Kjær 

WORLD HEADQUARTERS: DK-2850 Nærum · Denmark. Telephone: +45 2805000 · Telex: 37316 bruka dk · Fax: +45 280 1405

Australia (02) 450-2066 Austria 02235/7550*0 Belgium 02-242-97 45 Brazil (011) 246-8149/246-8166 Canada (514) 695-8225 Finland (90) 80 17044
France (1) 645720 10 · Federal Republic of Germany (04106) 4055 Great Britain (01) 954-2366 Holland 03 402-39 994 · Hong Kong 5-487486 · Italy (02) 5244 141
Japan 03-438-0761 Republic of Korea (02) 554-0605 · Norway 02-78 70 96 Portugal (1) 65 92 56 / 65 92 80 Singapore 2256533. Spain (91) 268 1000
Sweden (08) 711 2730 Switzerland (042) 65 11 61 Taiwan (02) 7139303 USA (508) 481-7000 Local representatives and service organisations world-wide